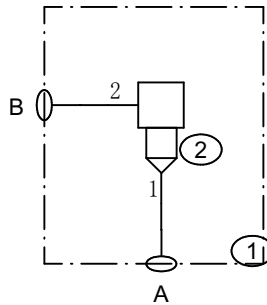
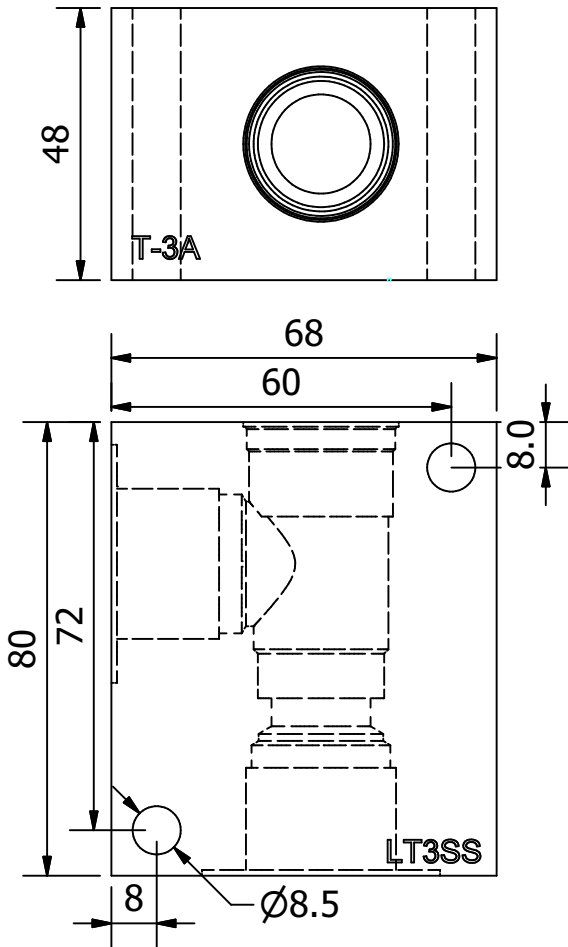
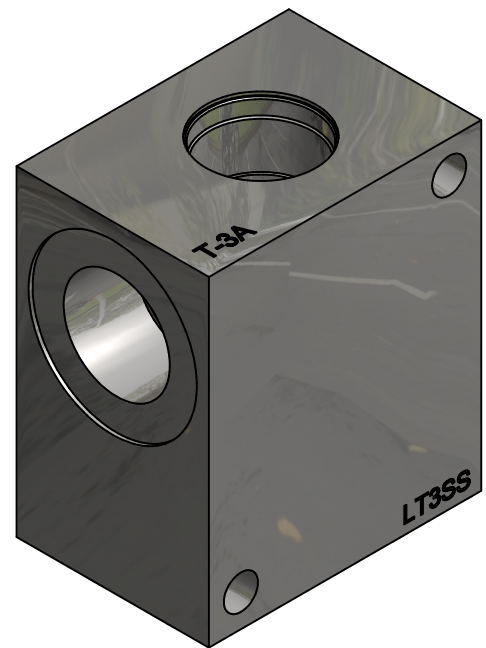


T-3A STAINLESS STEEL LINE BODY - LT3SS



ITEM ID	PART NUMBER	QTY	DESCRIPTION
1	LT3SS	1	T-3A STAINLESS STEEL LINE BODY
2	T-3A	1	SUN CAVITY

ITEM ID	PORT SIZE
A, B	G 3/4-14



Part Number: LT3SS
Description: T-3A Stainless Steel Line Body
Material: 316 Stainless Steel
Max Pressure: 350 Bar
Mounting: 2x Ø8.5mm Through Holes
Valves: CXFB, CXFF, NQEB, RBAA, RBFA, RDFA, RPGC, RPGD, RPGE, RPGS, RPGT, RQGB

Part No.	Material	Weight Kg	Price
LT3SS	316 Stainless Steel	1.7	\$1027

T-3A LINE BODY



Temisi Engineering Pty Ltd
 65 Shaun Parade
 Elimbah, 4516
 QLD
 Web: www.Temisi.com
 Email: Sales@temisi.com

This document contains Proprietary Information and is NOT to be Reproduced without the Written Permission from TEMISI ENGINEERING PTY LTD.
 Dimensions, Specifications and Prices are Subject to change without notice.


 Section
A