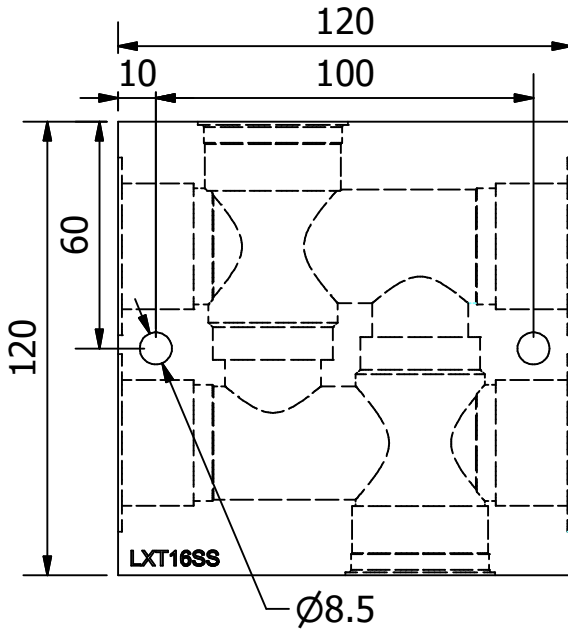
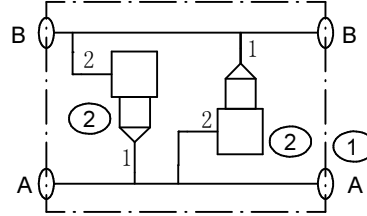
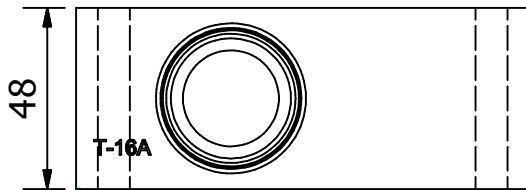
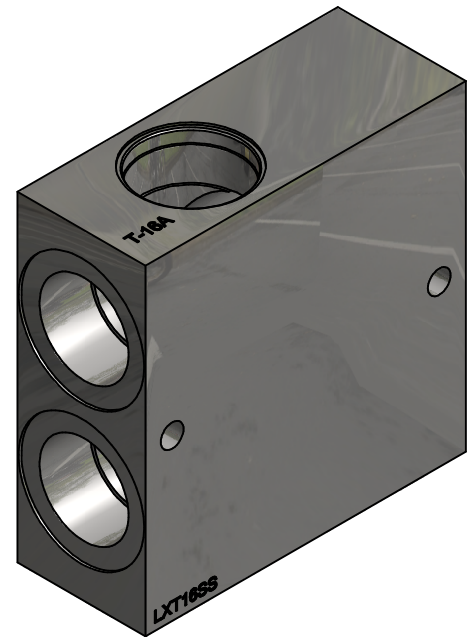


T-16A STAINLESS STEEL CROSSLINE MANIFOLD - LTX16SS



ITEM ID	PART NUMBER	QTY	DESCRIPTION
1	LTX16SS	1	T-16A SS CROSSLINE MANIFOLD
2	T-16A	1	SUN CAVITY

ITEM ID	PORT SIZE
A, B	G 1-11



Part Number: LTX16SS

Description: T-16A Stainless Steel Crossover Manifold

Material: 316 Stainless Steel

Max Pressure: 350 Bar

Mounting: 2x Ø8.5mm Through Holes

Valves: CNGC, CNHC, CXGD, CXHA, CXHF, DFEA, DFEB, FCEB, FDEA, FLHA, FQGA, FXEA, NCFB, NCGC, NFEC, NFED, RDHA, RPIC, RPIE, RPIT

Part No.	Material	Weight Kg	Price
LTX16SS	316 Stainless Steel	3.4	\$1361



Temisi Engineering Pty Ltd
65 Shaun Parade
Elimbah, 4516
QLD
Web: www.Temisi.com
Email: Sales@temisi.com

This document contains Proprietary Information and is NOT to be Reproduced without the Written Permission from TEMISI ENGINEERING PTY LTD.
Dimensions, Specifications and Prices are Subject to change without notice.

T-16A DUAL CROSSLINE
BODY

