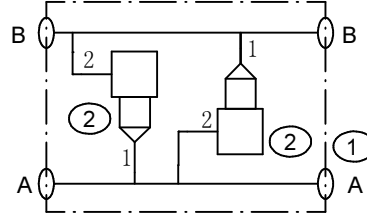
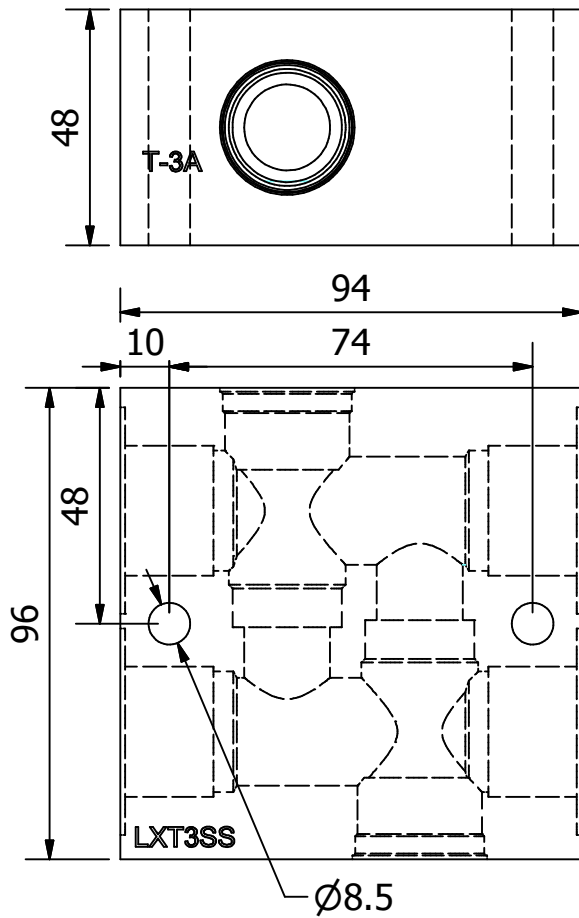
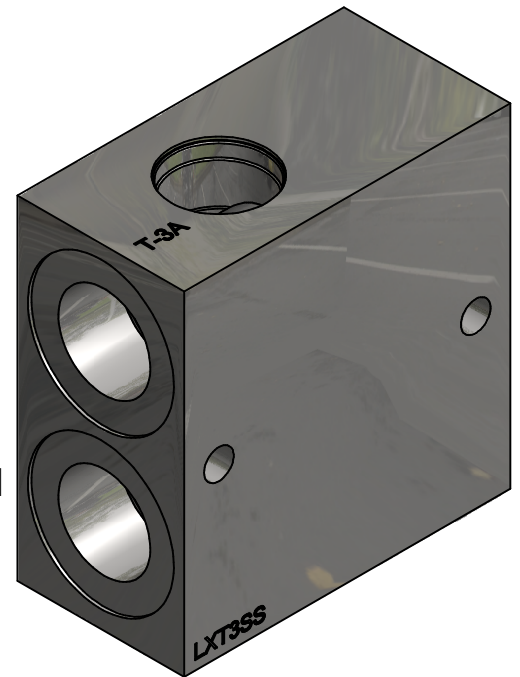


T-3A STAINLESS STEEL CROSSLINE MANIFOLD - LTX3SS



ITEM ID	PART NUMBER	QTY	DESCRIPTION
1	LTX3SS	1	T-3A SS CROSSLINE MANIFOLD
2	T-3A	1	SUN CAVITY

ITEM ID	PORT SIZE
A, B	G 3/4-14



Part Number: LTX3SS
 Description: T-3A Stainless Steel Crossover Manifold
 Material: 316 Stainless Steel
 Max Pressure: 350 Bar
 Mounting: 2x $\varnothing 8.5$ mm Through Holes
 Valves: CXFB, CXFF, NQEB, RBAA, RBFA, RDFA, RPGC, RPGD, RPGE, RPGS, RPGT, RQGB

Part No.	Material	Weight Kg	Price
LTX3SS	316 Stainless Steel	2.5	\$1027



Temisi Engineering Pty Ltd
 65 Shaun Parade
 Elimbah, 4516
 QLD
 Web: www.Temisi.com
 Email: Sales@temisi.com

This document contains Proprietary Information and is NOT to be Reproduced without the Written Permission from TEMISI ENGINEERING PTY LTD. Dimensions, Specifications and Prices are Subject to change without notice.

T-3A DUAL CROSSLINE
 BODY

